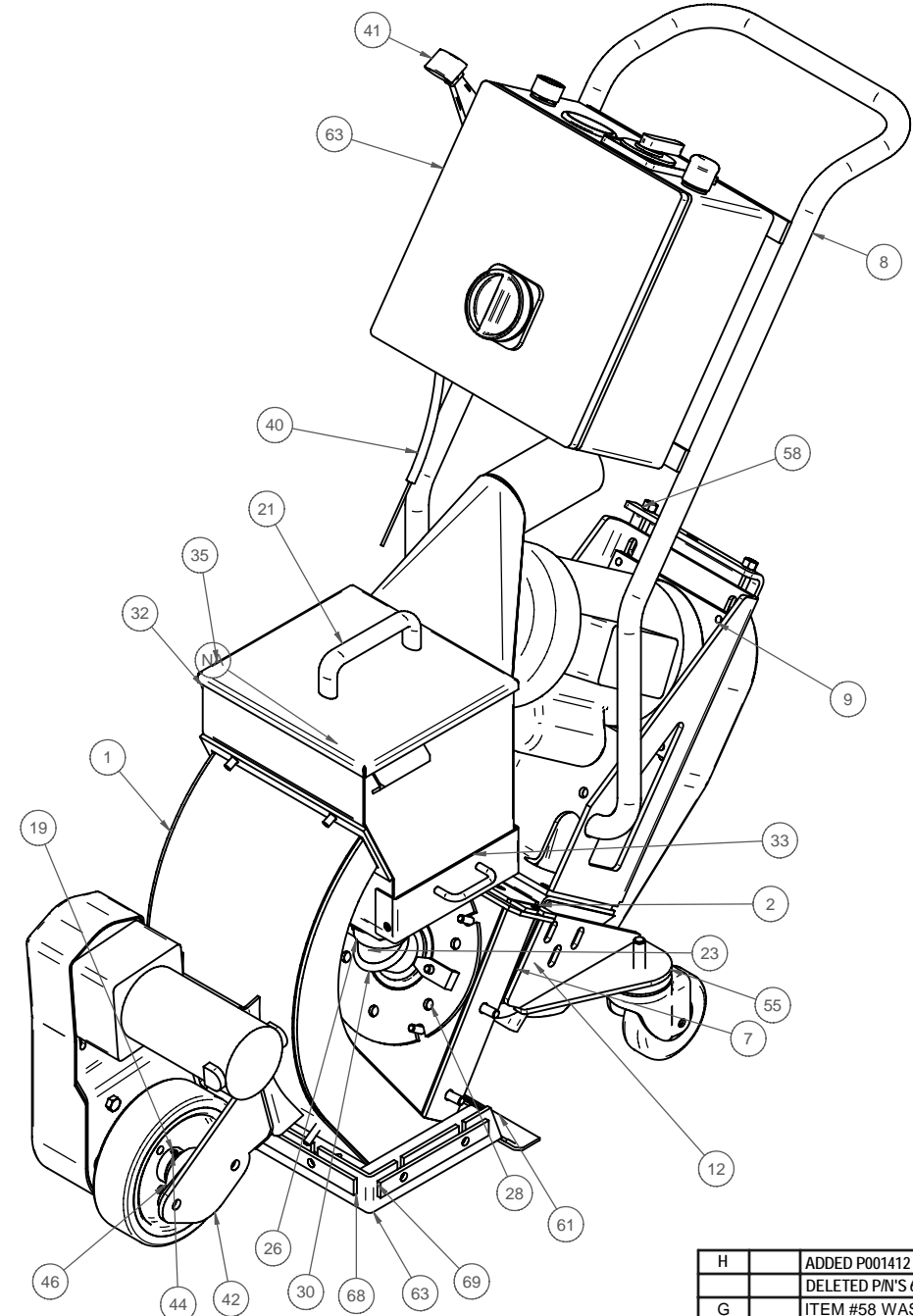
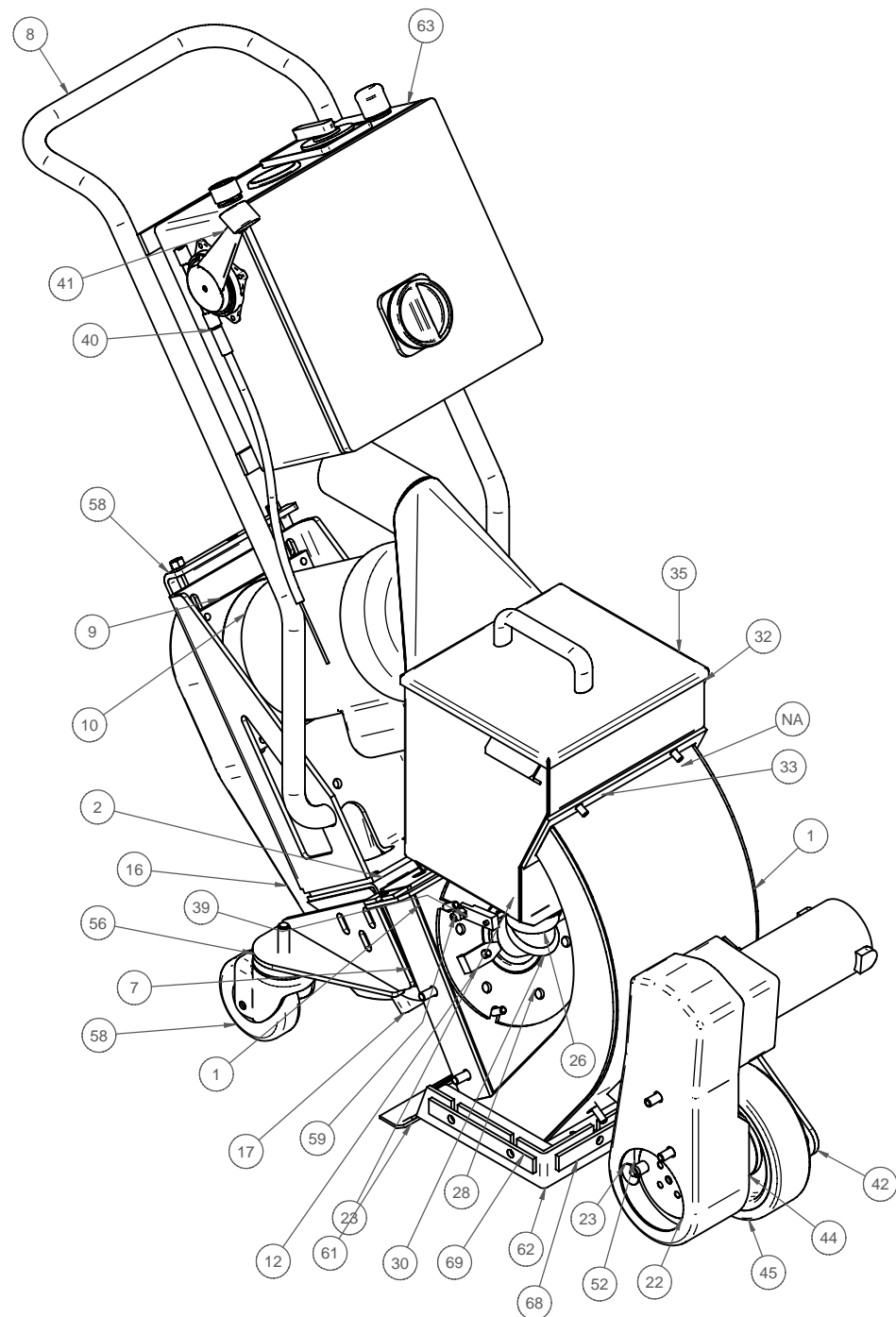


ITEM	QUANTITY	CATALOG NUMBER	DRAWING NUMBER	DESCRIPTION
1	1	451476	76B0200	CONTROL CAGE/ 55 DEG.
2*	1	454008	--	O-RING/ 2.375" I.D. X 2.563" O.D. X 0.098THICK
3	1	459556	77D0663	WHEEL/ 6-1/2" OPEN FACE
4	1	490089	82A0608	INSERT/WHEEL ADAPTER
5*	1	691747	--	SCREW/CAP SOC M10 X 1.50" LONG
6*	1	681556	--	WASHER/LOCK M10.0

**NOTE: REPLACEMENT OF BLAST WHEEL PARTS**

- ITEMS #22 THRU #27 ARE INCLUDED IN WHEEL-KIT #691748
- WHEN ORDERING REPLACEMENTS FOR THESE PARTS USE CATALOG #691748

PARTS INCLUDED IN WHEEL-KIT #691748  
1:2



ITEM	QUANTITY	CATALOG NUMBER	DRAWING NUMBER	REV	DESCRIPTION	ITEM	QUANTITY	CATALOG NUMBER	DRAWING NUMBER	REV	DESCRIPTION
51	1	681556	--		WASHER/LOCK M10.0	1	1	P000678	423-0008		BLAST HOUSING - SLL
52	1	254661	--		CHAIN/ROLLER ASA #40 - 0.50" PITCH	2	1	698677	--		COVER/TOP
53	1	452836	--		LINK/CONNECTING MASTER ASA #40 0.50" P	3	1	698674	97B0058	A	LINER/L.H. SIDE - SLL
54	1	06300023	--		BUSHING/TAPERLOCK 1610 X 0.875B DODGE #117082	4	1	698675	97B0059		LINER/R.H. SIDE - SLL
55	1	P000674	423-0004	A	BRACKET/MOUNTING - L.H. CASTER	5	1	698676	--		LINER/TOP - SLL
56	1	P000675	423-0005	A	BRACKET/MOUNTING - R.H. CASTER	6	1	698678	97B0062	A	LINER/REBOUND - SLL
57	1	690837	--		BUSHING/TAPERLOCK 1108 X 20mm BORE	7	1	P000704	423-0016	A	SUPPORT/MOTOR MOUNTING BRACKET
58	1	P000686	423-0012	A	TAKE-UP/WHEEL MOTOR	8	1	P000672	423-0002	B	BRACKET/MOUNTING - WHEEL MOTOR
59	1	491726	83A0085		PIVOT/CABLE LINKAGE CONNECTOR	9	1	P000676	423-0006		ADAPTER/WHEEL MOTOR
60	1	696275	420-0041	A	HUB/WHEEL	10	1	P000681	423-0017		MOTOR/C-FACE 4 HP, 3600 RPM
61	1	698679	97B0063	A	SEAL/SKID	11	1	451476	76B0200		CONTROL CAGE/ 55 DEG.
62	1	969717	423-0023		SEAL/MAGNET - POLYURETHANE	12	2	970012	--		CLAMP/CONTROL CAGE
63	1	P000498	423-0019		PANEL/ELECTRICAL	13	1	P000520	--		GEARMOTOR/PARALLEL 1/8 HP, 38 RPM OUT
64	1	696292	420-0019	C	BEARING/UNIT - BLAST WHEEL	14	1	P000523	425-0008	B	GUARD/DRIVE CHAIN - COVER
65	2	P000835	--	--	CASTER/SWIVEL 4"x 1-1/4"	15	1	0610006	--		BELT/V 3VX425
66	1	969763	420-0027	A	MAGNET/ FRONT- REAR	16	1	P000677	423-0007	--	GUARD/BELT
67	2	699797	--		PLUNGER/BALL 8MM	17	1	699800	423-0022	--	COVER/REAR GUARD
68	1	971427	--		RETAINER/SEAL - FRONT	18	2	969780	420-0028	A	MAGNET/SIDE
69	2	969716	--		RETAINER/SEAL - SIDE	19	2	P000705	--		PIN/ROLL 1/4" X 1-1/2"
70	1	P000731	423-0032	--	ADAPTER/FEED SPOUT	20	1	P000742	--		SEAL/BACKING PLATE
						21	1	699796	--		HANDLE
						22	1	477630	80B0257	A	RETAINER/SPROCKET
						23	1	478198	--	--	PIN/QUICK RELEASE - RECESSED 3/8" DIA.
						24	1	P000527	425-0009	--	SPROCKET/ 40-1A 27T W/SPECIAL BORE
						25	1	P000528	--		SPROCKET/ 40-1B 14T 0.0625B HDN STDKW 3/16" X 3/32" 2SS
						26	1	684912	--		SEAL/FEED SPOUT
						27	1	06150005	--		SHEAVE/TAPERLOCK 1/3V5.3-1610
						28	1	P000785	423-0021	A	BRACKET/CONTROL CAGE
						29	1	691747	--	--	SCREW/CAP SOC M10 X 1.50" LONG
						30	1	967577	--		FEED SPOUT
						31	6	P001412	--	--	SCREW/SOC. FLAT HD 5/16-18 S.S. X 1.25" LONG
						32	1	P000679	423-0009	B	SEPARATOR
						33	1	699793	--		SCREEN/DRAWER
						34	1	699794	--		DEFLECTOR/SEPARATOR
						35	1	699795	--		LID/SEPARATOR
						36	1	490089	82A0608	B	INSERT/WHEEL ADAPTER
						37	1	459556	77D0663	--	WHEEL/ 6-1/2" OPEN FACE
						38	1	973322	--		VALVE/ABRASIVE CONTROL
						39	1	969756	422-0006	--	LEVER/ABRASIVE CONTROL VALVE
						40	1	P000732	423-0018	--	CABLE/ABRASIVE CONTROL VALVE
						41	1	P000735	--		OPERATOR/CABLE - SIDE MOUNT
						42	1	P000673	423-0003	A	BRACKET/MOUNTING - TRACTION DRIVE
						43	1	P000687	423-0013	--	SHAFT/TRACTION DRIVE
						44	1	P000688	423-0014	--	FLANGE/MOUNTING - TRACTION DRIVE WHEEL
						45	1	P000700	423-0015		WHEEL/TRACTION DRIVE
						46	2	P000698	--		BEARING/FG2 20mm BORE W/ 90mm BOLT SPACING
						47	1	P000680	423-0010	A	HUB/SPROCKET
						48	1	696277	420-0013	A	MOUNTING-PLATE/BEARING
						49	1	P000587	--		SHEAVE/TAPERLOCK 1/3V2.65-1108
						50	1	454008	--		O-RING/ 2.375" I.D. X 2.563" O.D. X 0.098THICK

**NOTE:** 1. MACHINES BUILT PRIOR TO SERIAL NUMBER 99050032 WERE BUILT WITH 4 HP MOTORS WITH 3/4" DIA. SHAFTS. THESE MACHINES REQUIRE THE USE OF A 3/4" TAPERLOCK BUSHING, BLASTRAC PART NUMBER 06300022, TO REPLACE ITEM #11.

REV	ZONE	DESCRIPTION	DATE	BY
F		ITEM #63 WAS 699802	5/20/99	SCS
E		ITEM #78 WAS 452390; ADDED ITEMS 79 & 80	4/7/99	SCS
D		ITEM #28 - CNTRL CAGE BRKT WAS #976324	3/24/99	SCS
C		ADDED REPLACEMENT WHEEL PARTS NOTES	3/18/99	SCS
B		CORRECTED INFO. ON ITEMS #20,58,64,77&78	3/11/99	SCS
A		ITEM #41 WAS 487263	2/26/99	SCS

**REVISION**

THIS DRAWING AND THE DESIGN SHOWN THEREIN IS THE PROPERTY OF U.S. FILTER WHEELABRATOR AND USE OR COPIES THEREOF CANNOT BE MADE WITHOUT WRITTEN CONSENT.

U.S. FILTER  
**BLASTRAC**

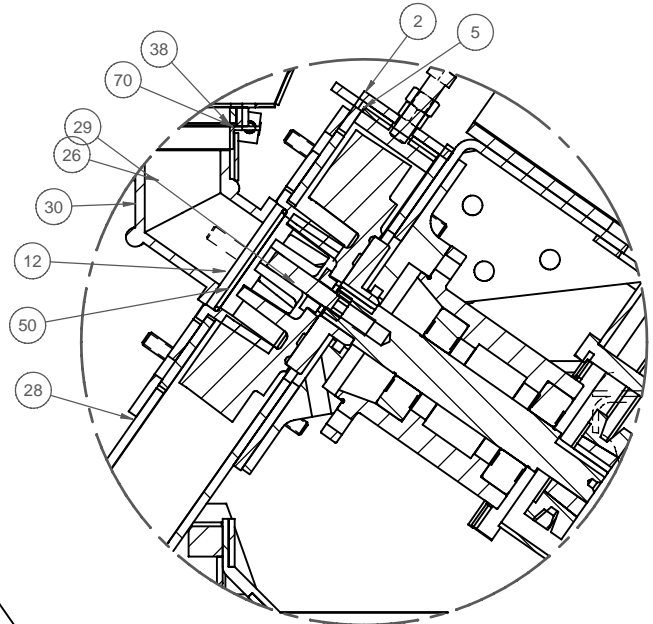
6215 ALUMA VALLEY DRIVE  
OKLAHOMA CITY, OK 73121  
U.S.A.

MACHINE ASSEMBLY  
1-8DE99UK BLAST UNIT

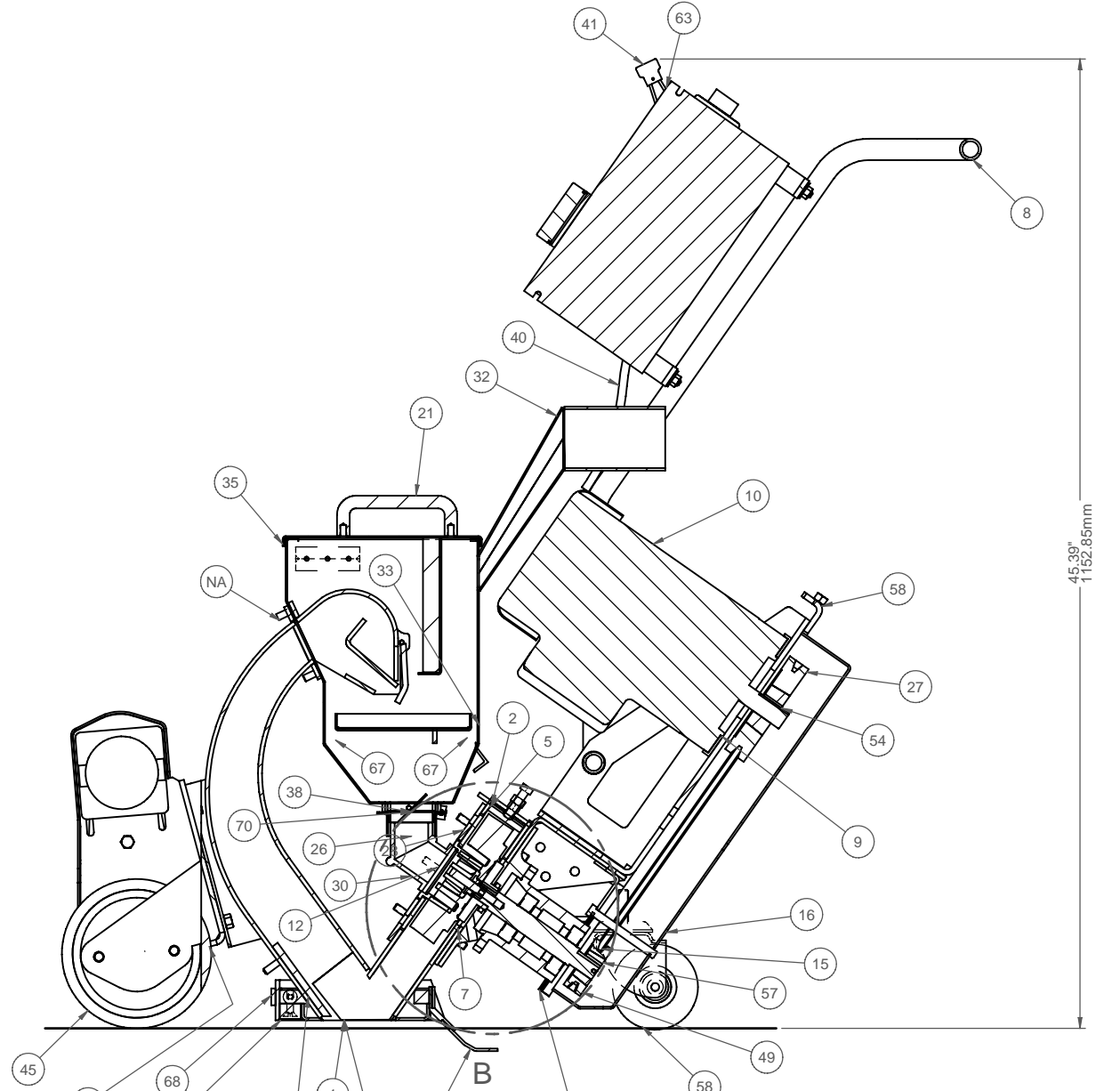
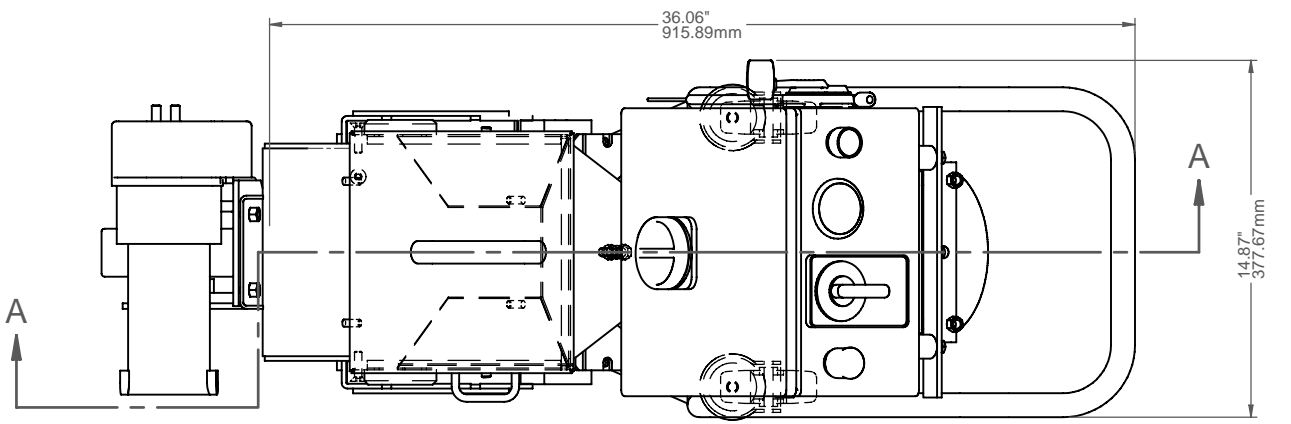
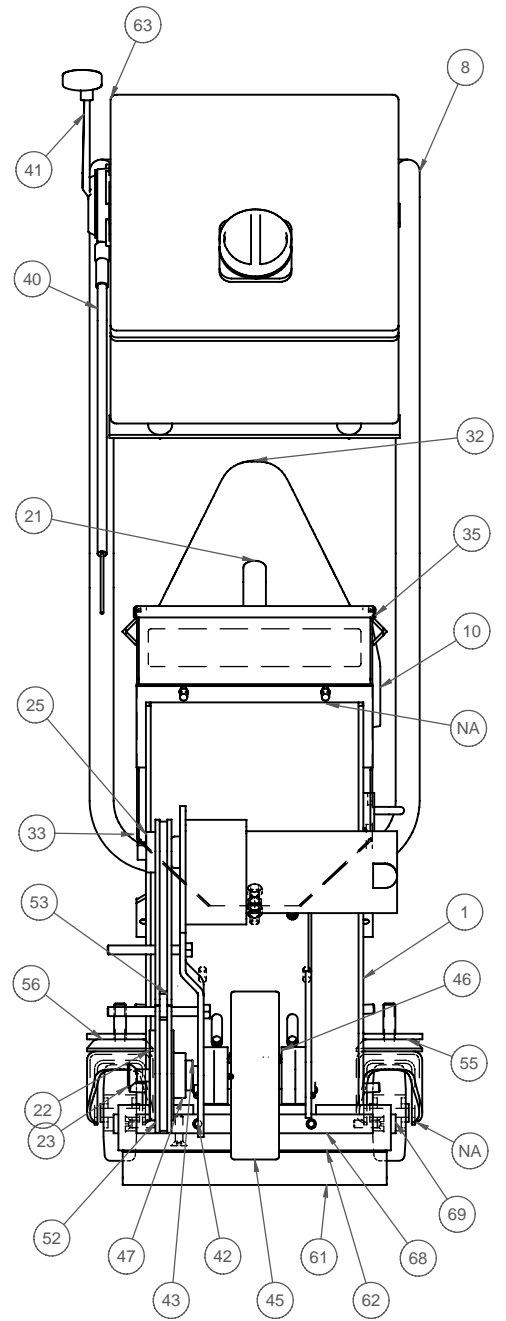
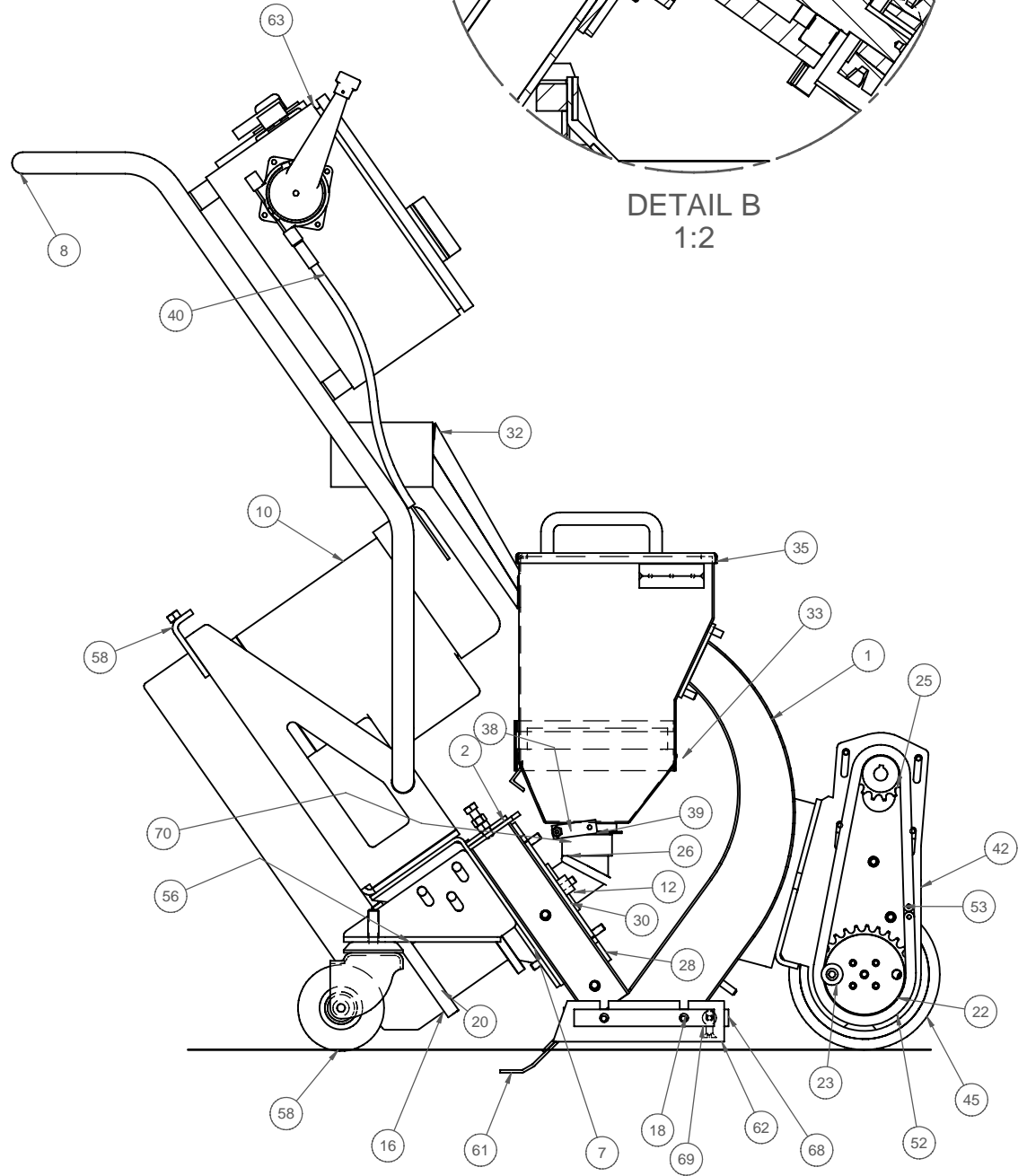
SCALE 1:4 DRWN SCS DATE 2/18/99 SHT 1 OF 5

**423-001**

H	DESCRIPTION	DATE	BY
	ADDED P001412 TO BOM	3/21/00	TLH
	DELETED PIN'S 681230 & 681229 FROM BOM		
G	ITEM #58 WAS 696249; ITEM #11 WAS 06300022	5/27/99	SCS

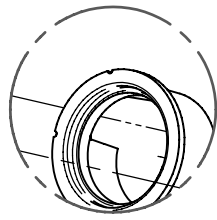


DETAIL B  
1:2

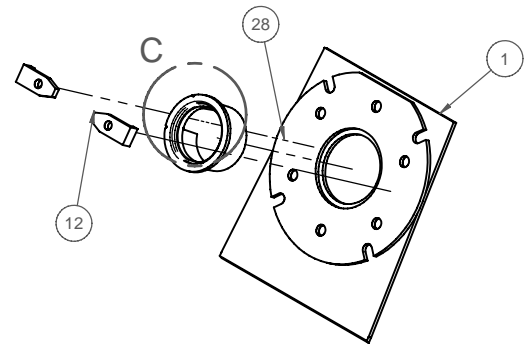


SECTION A-A

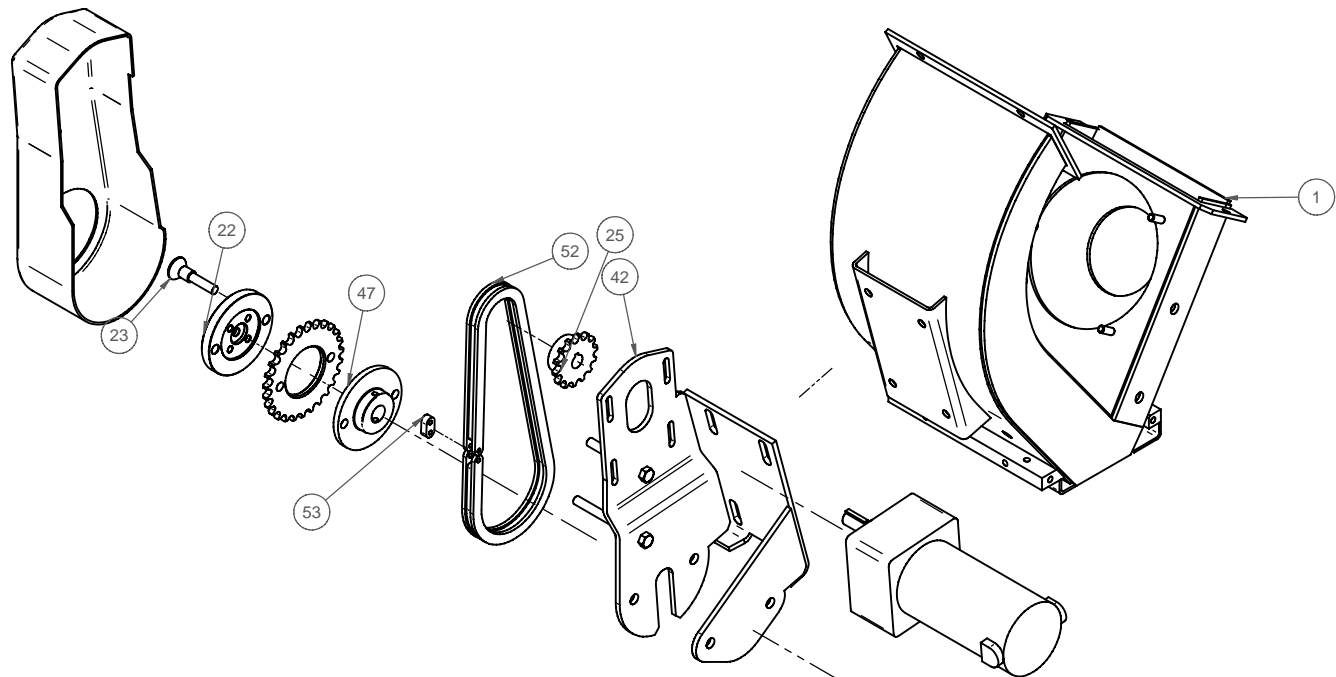
REV	ZONE	DESCRIPTION	DATE	BY
<b>REVISION</b>				
<small>THIS DRAWING AND THE DESIGN SHOWN THEREIN IS THE PROPERTY OF U.S. FILTER WHEELABRATOR AND USE OR COPIES THEREOF CANNOT BE MADE WITHOUT WRITTEN CONSENT.</small>				
NEXT ASSY	--	REF. DWG	P00671	PART NO.
				<b>1-8DE99UK</b>
<b>TOLERANCE UNLESS SPECIFIED</b>		<b>U.S. FILTER</b>		
ANGLES ± .500°		6215 ALUMA VALLEY DRIVE		
1 PL DEC ± .060		OKLAHOMA CITY, OK 73121		
2 PL DEC ± .010		U.S.A.		
3 PL DEC ± .005		<b>MACHINE ASSEMBLY</b>		
		<b>1-8DE99UK BLAST UNIT</b>		
SCALE	1:4	DRWN	SCS	<b>423-0001</b>
DATE	2/18/99	SHT	2 OF 5	



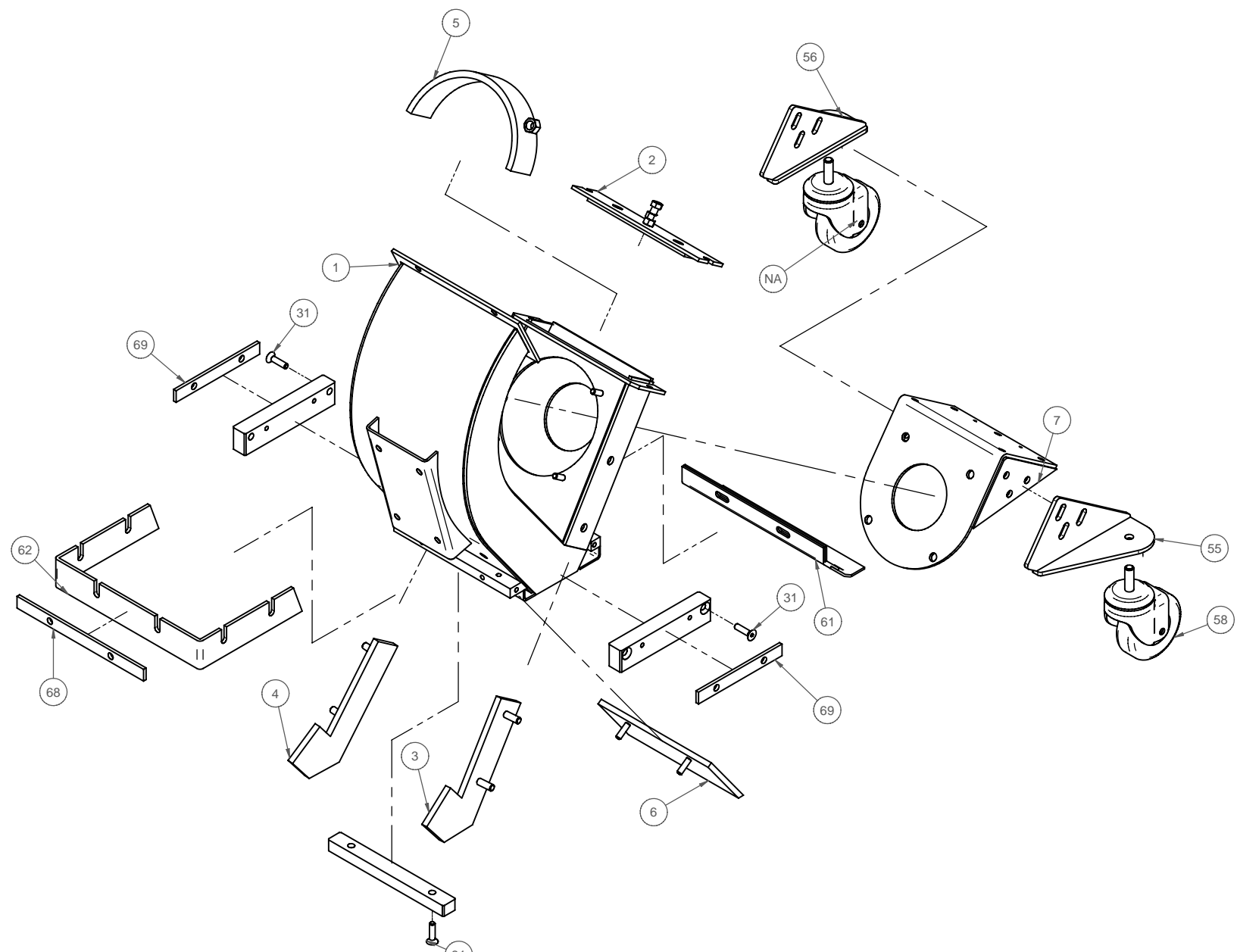
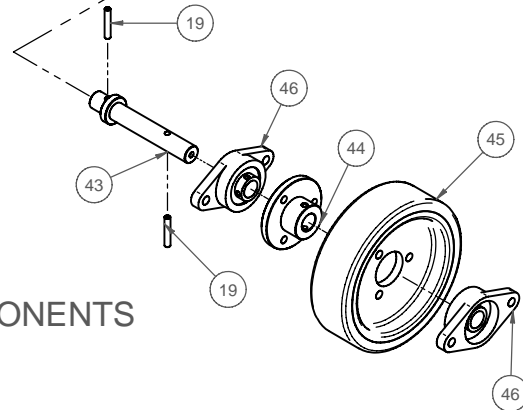
DETAIL C



CONTROL CAGE SETTING  
1:4



TRACTION DRIVE COMPONENTS  
1:4

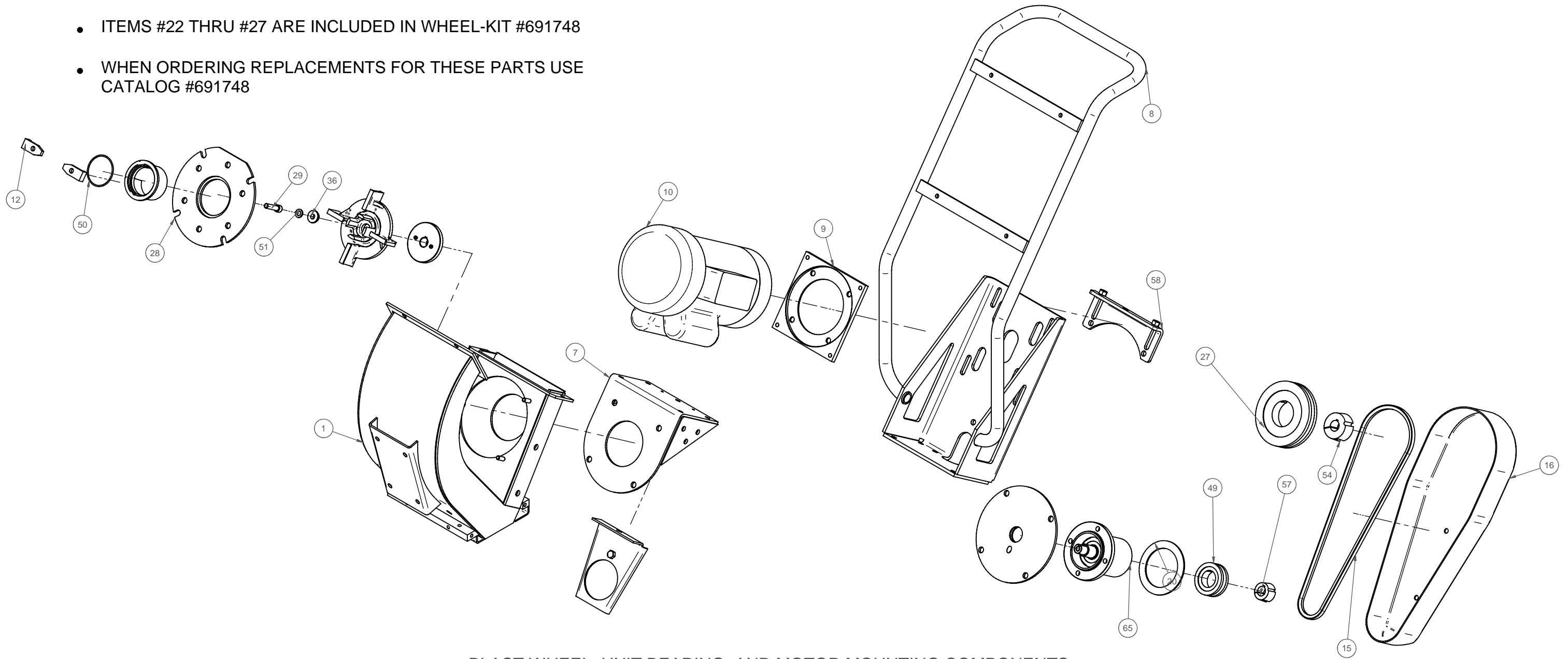


LINERS, MAGNETS, SEALS, AND REAR WHEEL COMPONENTS  
1:4

REV	ZONE	DESCRIPTION	DATE	BY
<b>REVISION</b>				
<small>THIS DRAWING AND THE DESIGN SHOWN THEREIN IS THE PROPERTY OF U.S. FILTER WHEELABRATOR AND USE OR COPIES THEREOF CANNOT BE MADE WITHOUT WRITTEN CONSENT.</small>				
NEXT ASSY	--	REF. DWG. P000671	PART NO.	1-8DE99UK
<b>TOLERANCE UNLESS SPECIFIED</b>		<b>U.S. FILTER</b>		
ANGLES ± .500°		6215 ALUMA VALLEY DRIVE		
1 PL DEC ± .060		OKLAHOMA CITY, OK 73121		
2 PL DEC ± .010		U.S.A.		
3 PL DEC ± .005		<b>BLASTRAC</b>		
MACHINE ASSEMBLY				
1-8DE99UK BLAST UNIT				
SCALE	1:4	DRWN	SCS	<b>423-0001</b>
DATE	2/18/99	SHT	3 OF 5	

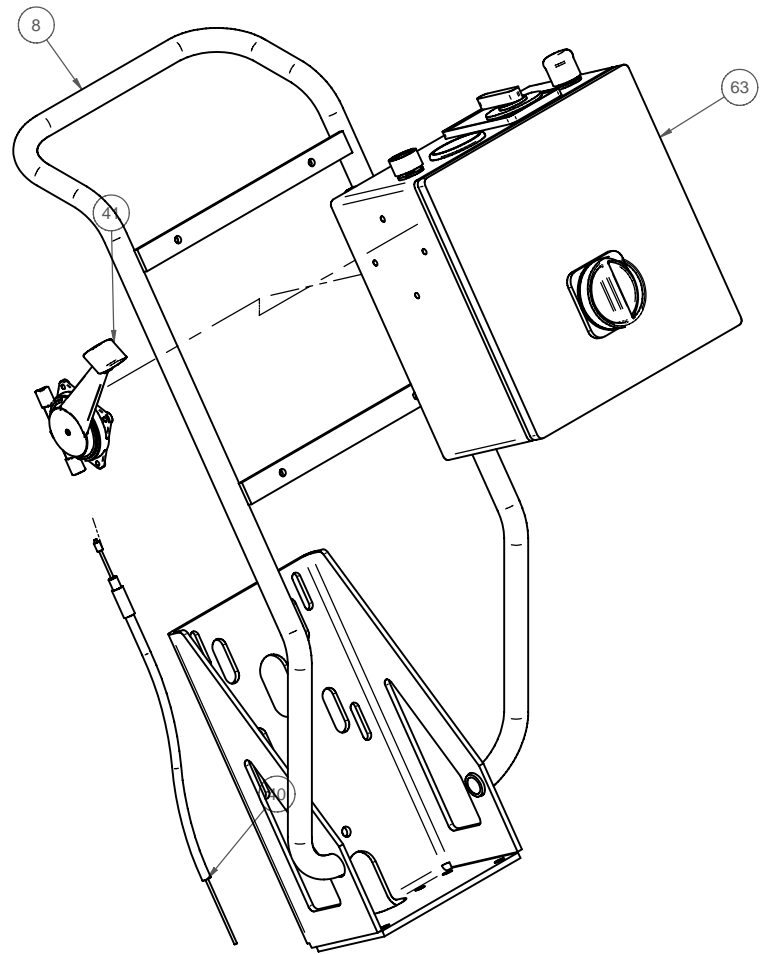
**NOTE: REPLACEMENT OF BLAST WHEEL PARTS**

- ITEMS #22 THRU #27 ARE INCLUDED IN WHEEL-KIT #691748
- WHEN ORDERING REPLACEMENTS FOR THESE PARTS USE CATALOG #691748

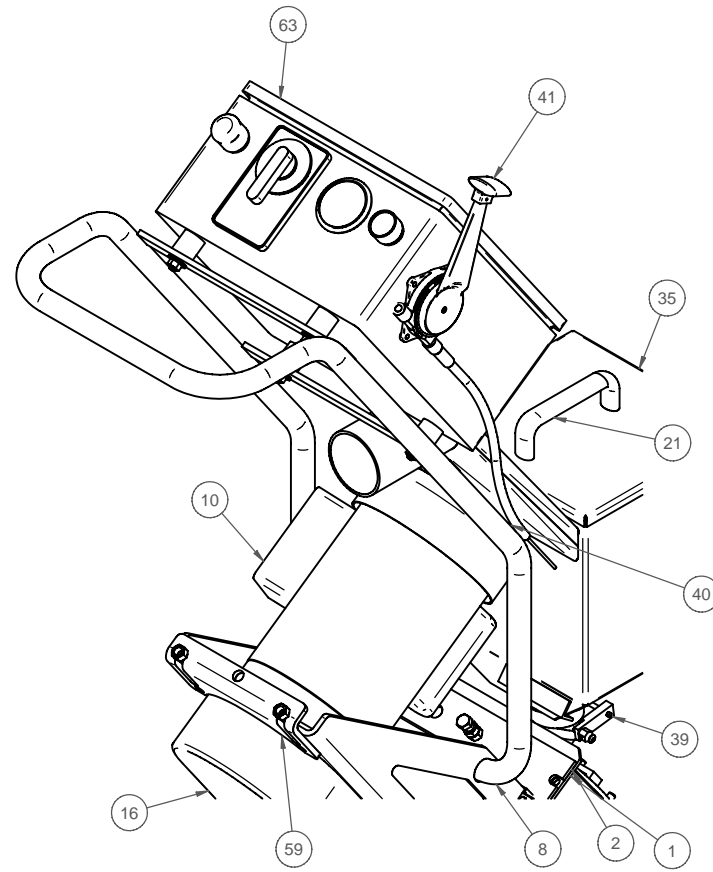


BLAST WHEEL, UNIT BEARING, AND MOTOR MOUNTING COMPONENTS  
1:4

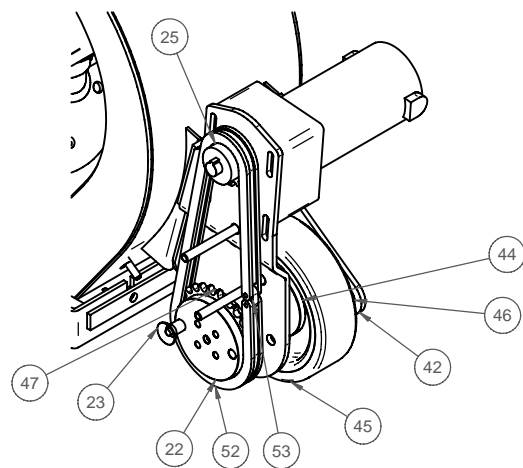
REV	ZONE	DESCRIPTION	DATE	BY
<b>REVISION</b>				
<small>THIS DRAWING AND THE DESIGN SHOWN THEREIN IS THE PROPERTY OF U.S. FILTER WHEELABRATOR AND USE OR COPIES THEREOF CANNOT BE MADE WITHOUT WRITTEN CONSENT.</small>				
NEXT ASSY	--	REF DWG	P000671	PART NO
				<b>1-8DE99UK</b>
<b>TOLERANCE</b> UNLESS SPECIFIED		<b>U.S. FILTER</b> <b>BLASTRAC</b>		
ANGLES ± .500°		6215 ALUMA VALLEY DRIVE OKLAHOMA CITY, OK 73121 U.S.A.		
1 PL DEC ± .060		MACHINE ASSEMBLY		
2 PL DEC ± .010		1-8DE99UK BLAST UNIT		
3 PL DEC ± .005		SCALE	1:4	DRWN
		DATE	2/18/99	SCS
		SHT	4 OF 5	GEN
				<b>423-0001</b>



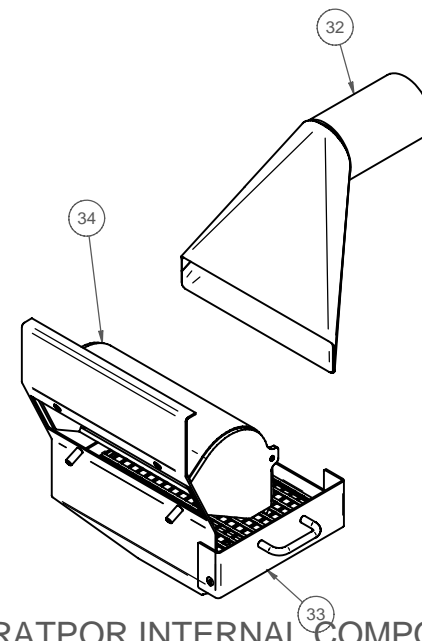
CONTROL PANEL AND ABRASIVE VALVE ACTUATOR  
1:4



VIEW OF OPERATOR CONTROLS  
1:4



TRACTION DRIVE ASSEMBLY (GUARD REMOVED FOR CLARITY)  
1:4



SEPARATPOR INTERNAL COMPONENTS  
1:4

REV	ZONE	DESCRIPTION	DATE	BY
<b>REVISION</b>				
<small>THIS DRAWING AND THE DESIGN SHOWN THEREIN IS THE PROPERTY OF U.S. FILTER WHEELABRATOR AND USE OR COPIES THEREOF CANNOT BE MADE WITHOUT WRITTEN CONSENT.</small>				
NEXT ASSY	--	REF DWG	P00671	PART NO
				1-8DE99UK
<b>TOLERANCE UNLESS SPECIFIED</b>		<b>U.S. FILTER</b> <b>BLASTRAC</b>		
ANGLES ± .500°		6215 ALUMA VALLEY DRIVE OKLAHOMA CITY, OK 73121 U.S.A.		
1 PL DEC ± .060		MACHINE ASSEMBLY		
2 PL DEC ± .010		1-8DE99UK BLAST UNIT		
3 PL DEC ± .005		SCALE	1:4	DRWN
		DATE	2/18/99	SCS
			SHT 5 OF 5	GEN
				<b>423-001</b>